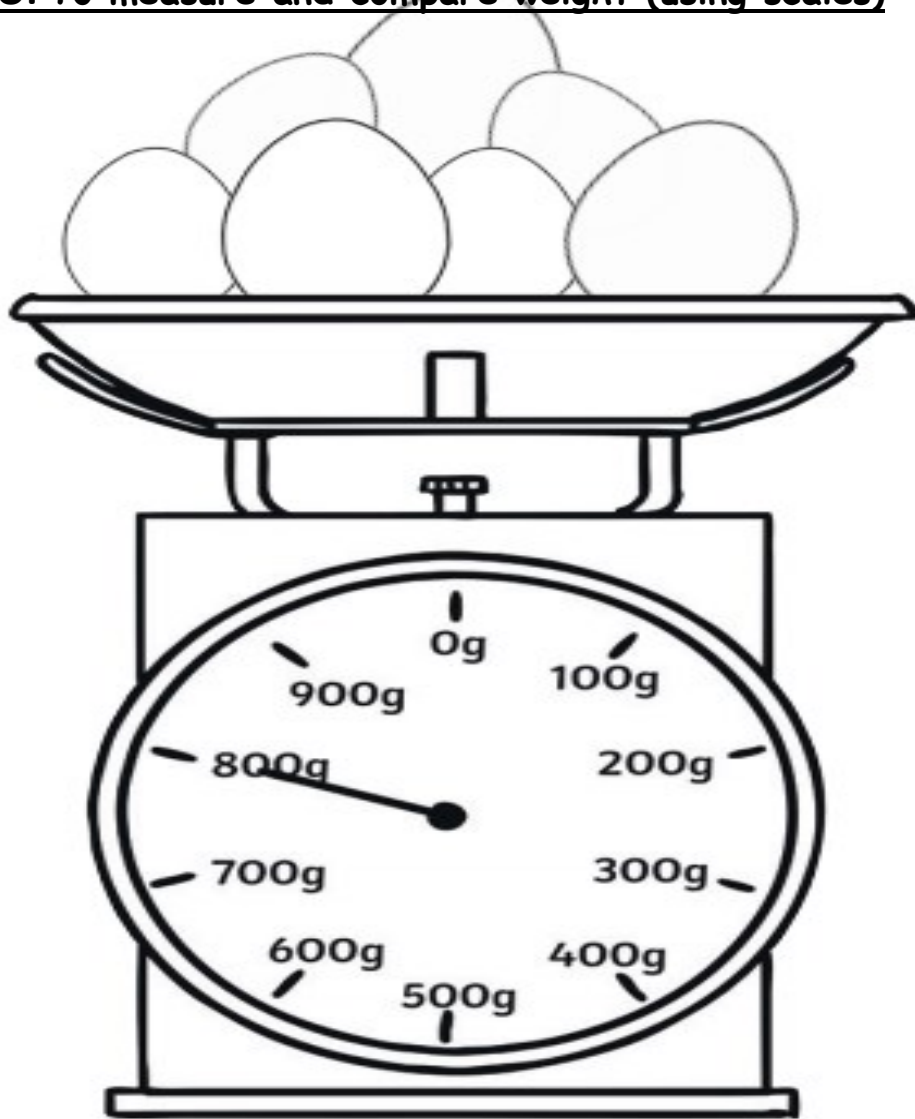
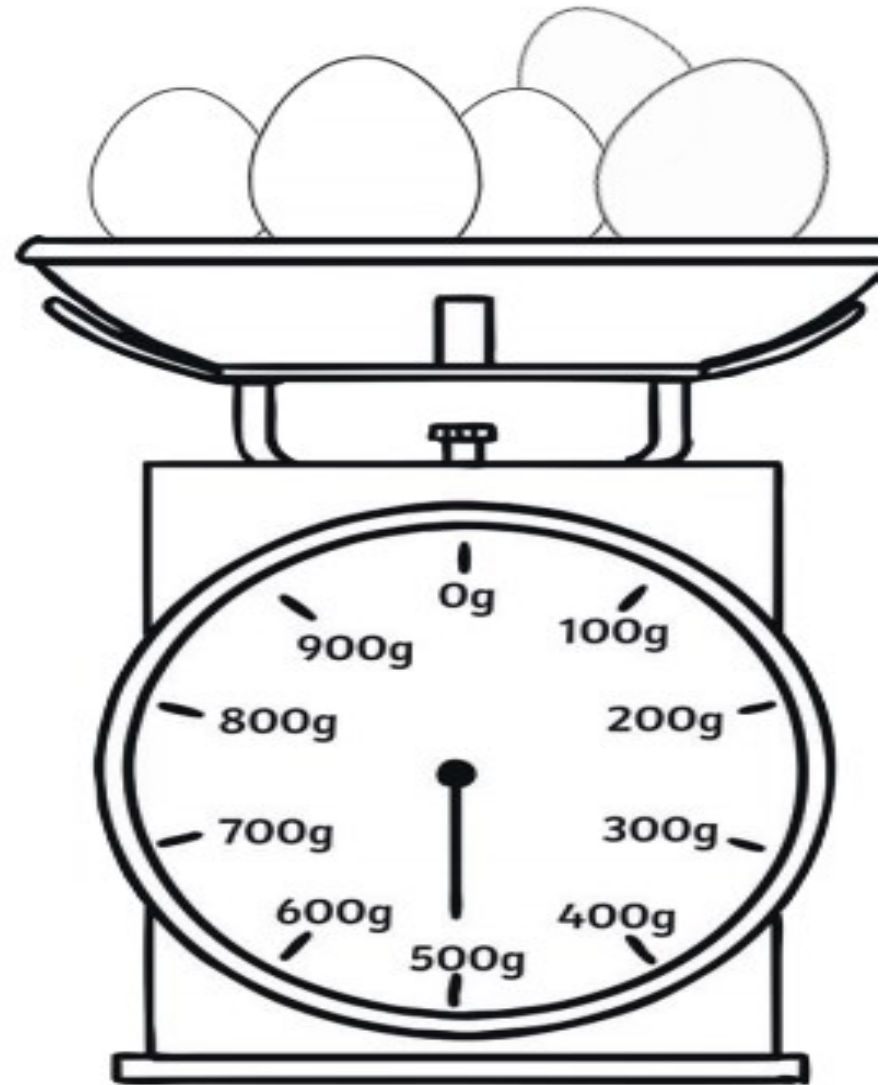


21.1.21

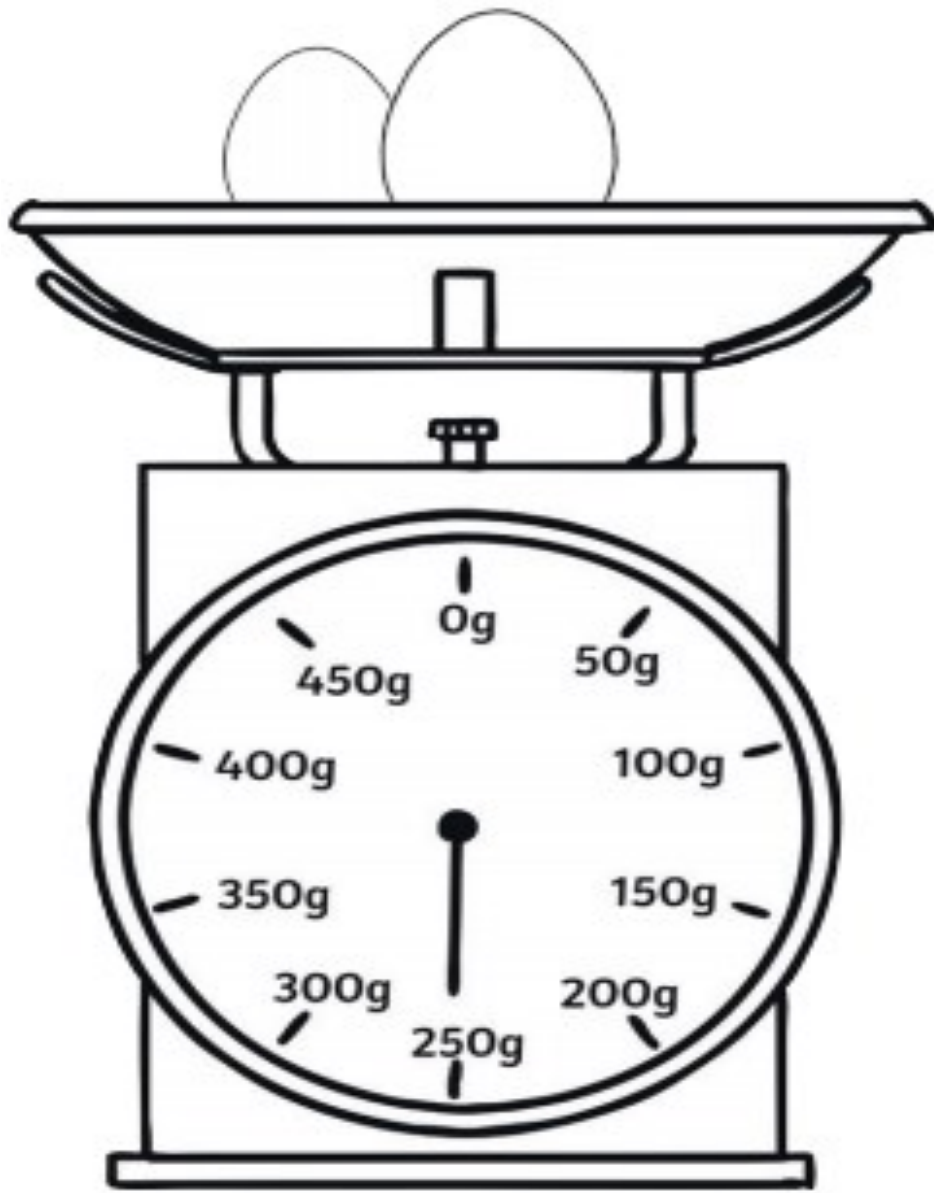
LO: To measure and compare weight (using scales)



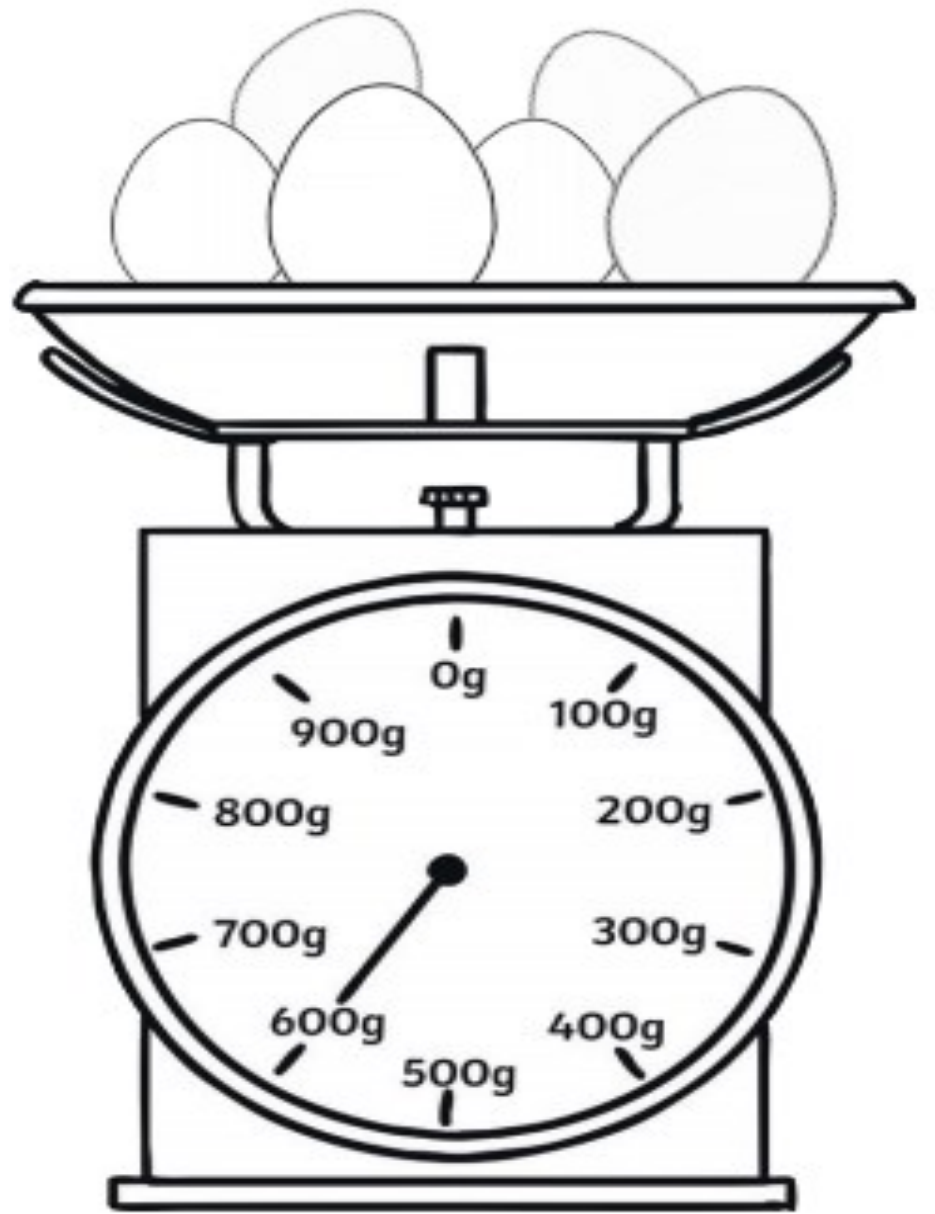
_____ g



_____ g



_____ g



_____ g